

INTERMOT DUAL DISPLACEMENT MOTORS

IAC SERIES

H5 MODEL

IAC 1400

IAC 1400/C

INDEX

IAC 1400 H5 D75 - - - - -	Pag.	44
IAC 1400/C H5 D75 - - - - -	"	45
IAC 1400 H5 D75 C3 SV - - - - -	"	46
IAC 1400/C H5 D75 C3 SV - - - - -	"	47
IAC 1400 H5 D75 C3-24 SV - - - - -	"	48
IAC 1400/C H5 D75 C3-24 SV - - - - -	"	49
ORDERING INSTRUCTIONS - - - - -	"	50

MOTOR TECHNICAL DATA

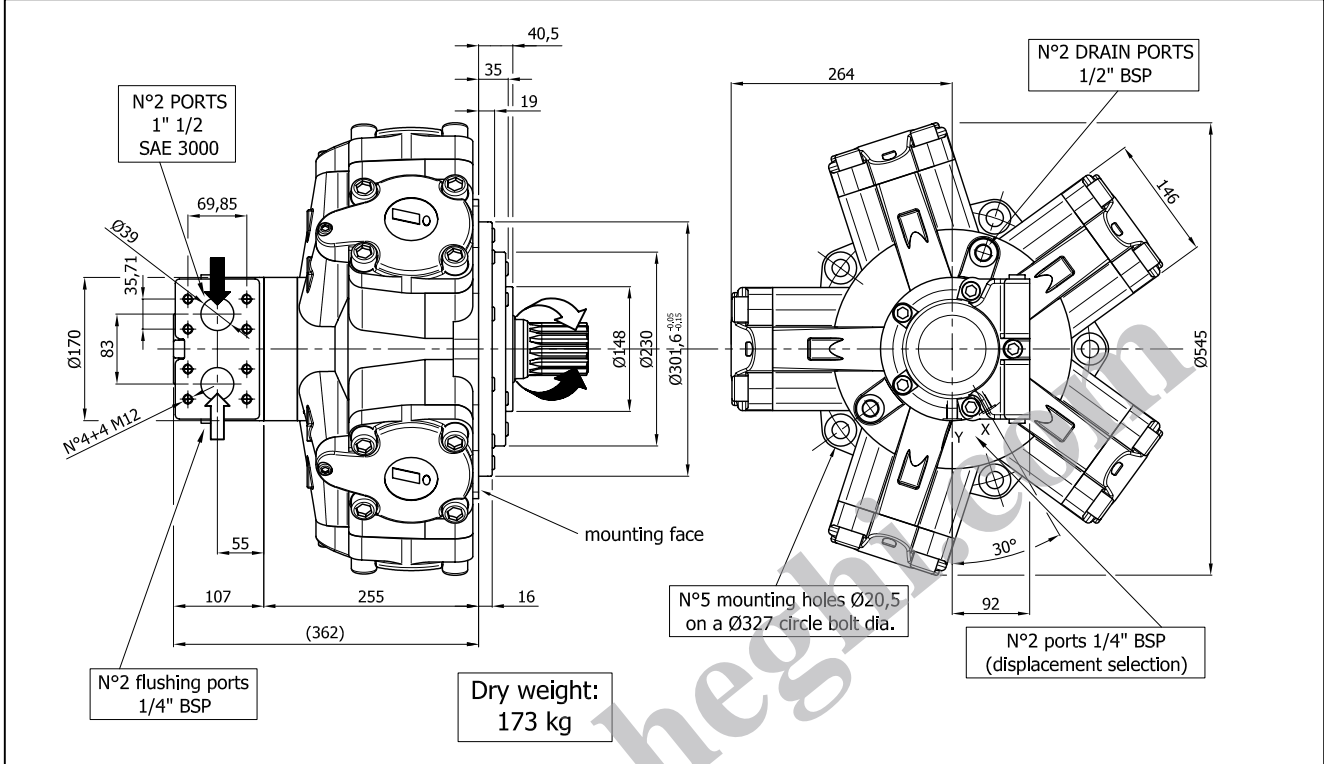
Displacement [cc/Rev]	1600	1499	1393	1313	1235	1150	1070	980	900	820
Specific theoretical torque [Nm/bar]	25,5	23,9	22,2	20,9	19,7	18,3	17	15,6	14,3	13
Continuous maximum speed [rpm]	370	400	410	435	440	460	480	490	495	520
Minimum speed [rpm]	1	1	1	1	1	1	1	1	1	2
Mechanical efficiency [%]	94,2	94	93,9	93,7	93,5	93,4	93,2	93	92,6	92,3
Starting mechanical efficiency [%]	88,2	88	86,5	85,3	85,1	82,6	81,3	79,8	77,9	76
Continuous maximum power [kW]	139	138	135	128	127	124	119	115	110	105
Intermittent maximum power [kW]	171	170	166	158	157	153	147	142	136	130
Continuous maximum pressure [bar]	250	250	250	250	250	250	250	250	250	250
Intermittent maximum pressure [bar]	275	275	275	275	275	275	275	275	275	275
Peak pressure [bar]	350	350	350	350	350	350	350	350	350	350
Recommended flushing flow [l/min]	12	12	12	12	12	12	12	12	12	12

Displacement [cc/Rev]	737	655	574	492	410	328	246	164	82
Specific theoretical torque [Nm/bar]	11,7	10,4	9,1	7,8	6,5	5,2	3,9	2,6	1,3
Continuous maximum speed [rpm]	545	600	600	600	600	600	600	600	1000
Minimum speed [rpm]	2	2	2	2	2	3	3	3	4
Mechanical efficiency [%]	91	89,3	87	83	81,7	75,5	65,7	60,5	0
Starting mechanical efficiency [%]	72,9	83,2	65	59,2	51	39	18	0	0
Continuous maximum power [kW]	98	91	78	65	53	39	28	14	0
Intermittent maximum power [kW]	121	112	96	80	65	48	35	17	0
Continuous maximum pressure [bar]	250	250	250	250	250	250	250	250	17
Intermittent maximum pressure [bar]	275	275	275	275	275	275	275	275	17
Peak pressure [bar]	350	350	350	350	350	350	350	350	17
Recommended flushing flow [l/min]	12	12	12	12	12	12	12	12	15

INTERCHANGEABLE WITH HMC80

SIZE

IAC 1400 H5 D75



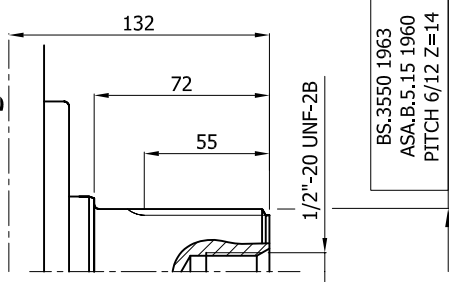
SHAFT

IAC 1400 H5 D75

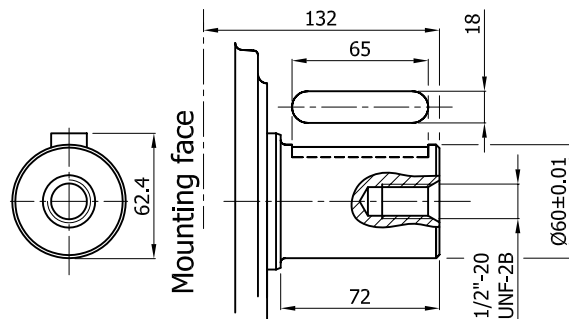
A1: Splined shaft

A2: Parallel shaft

Mounting face



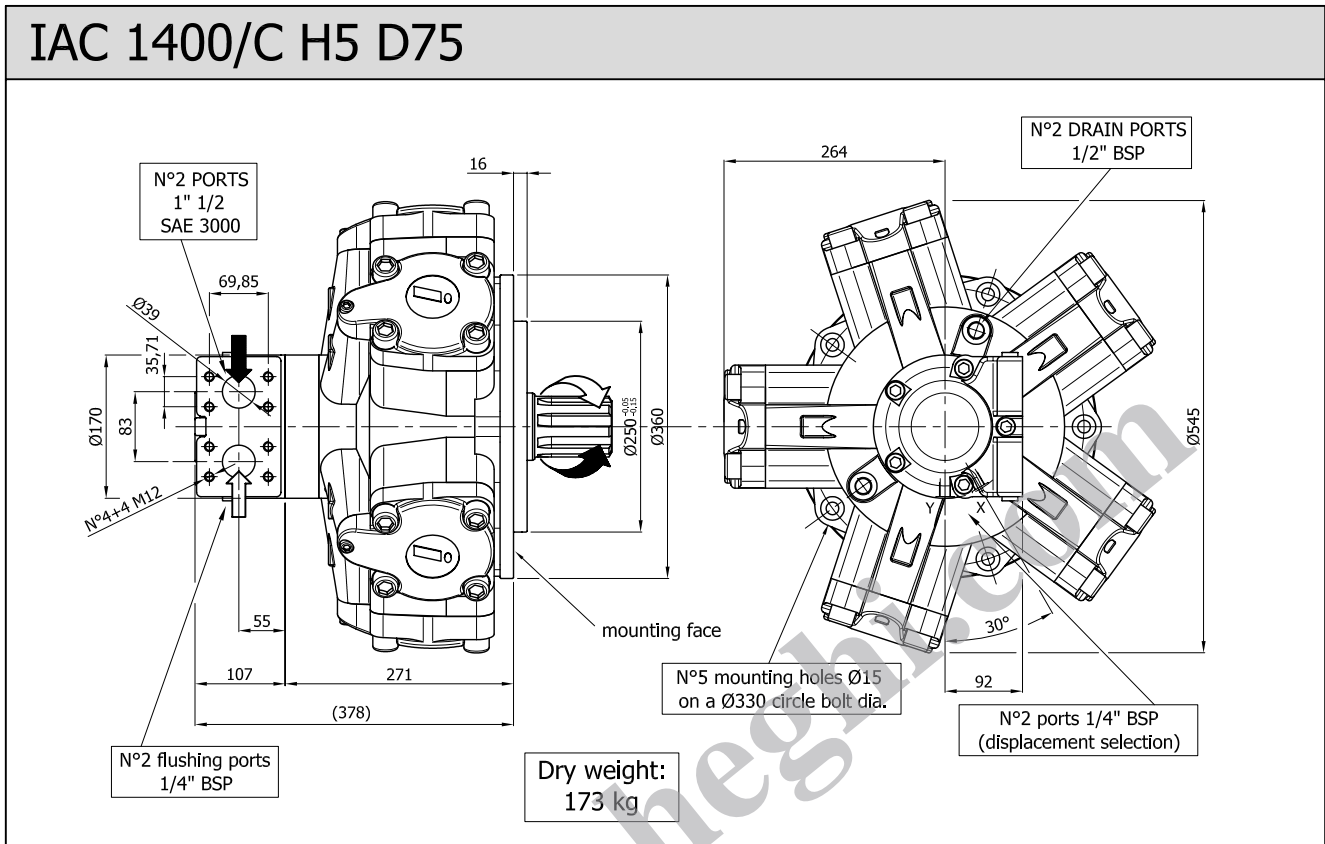
Mounting face



INTERCHANGEABLE WITH MRD1100

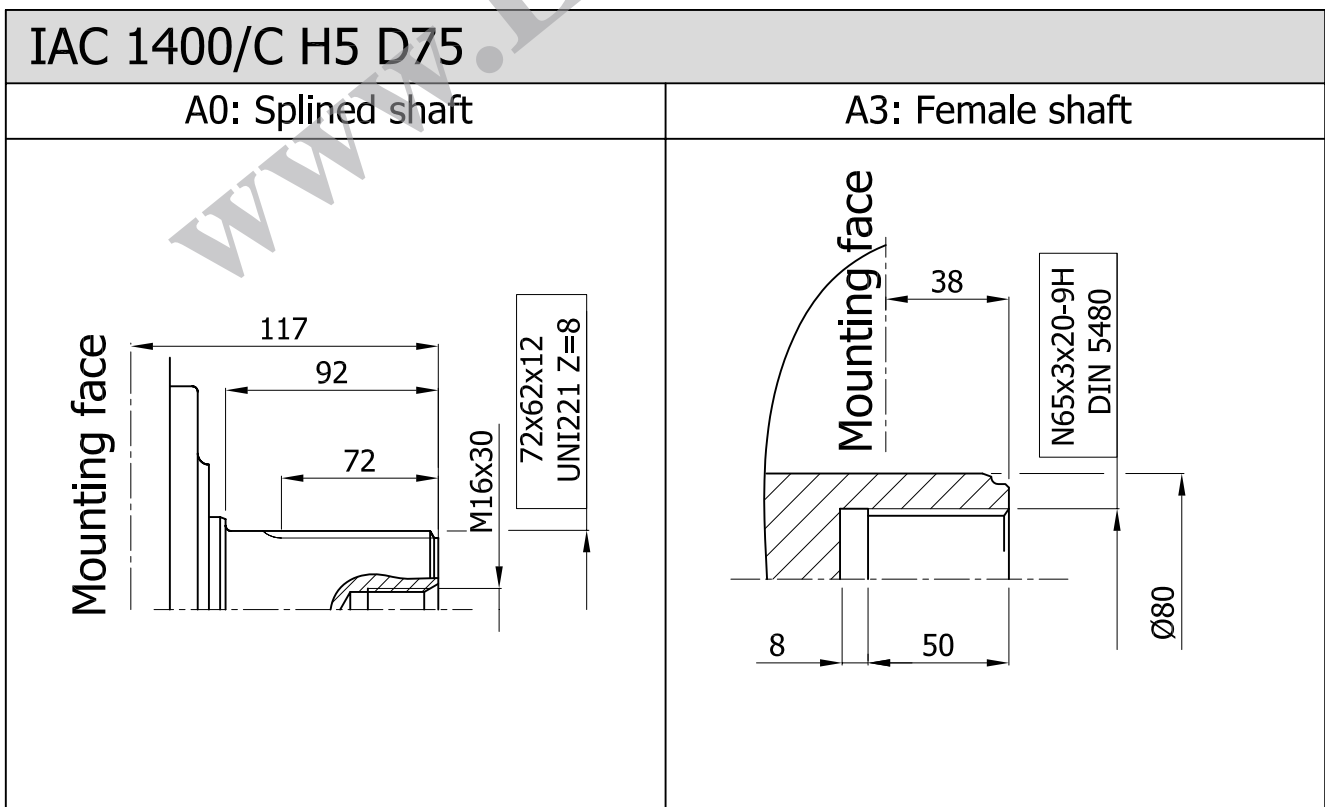
SIZE

IAC 1400/C H5 D75



SHAFT

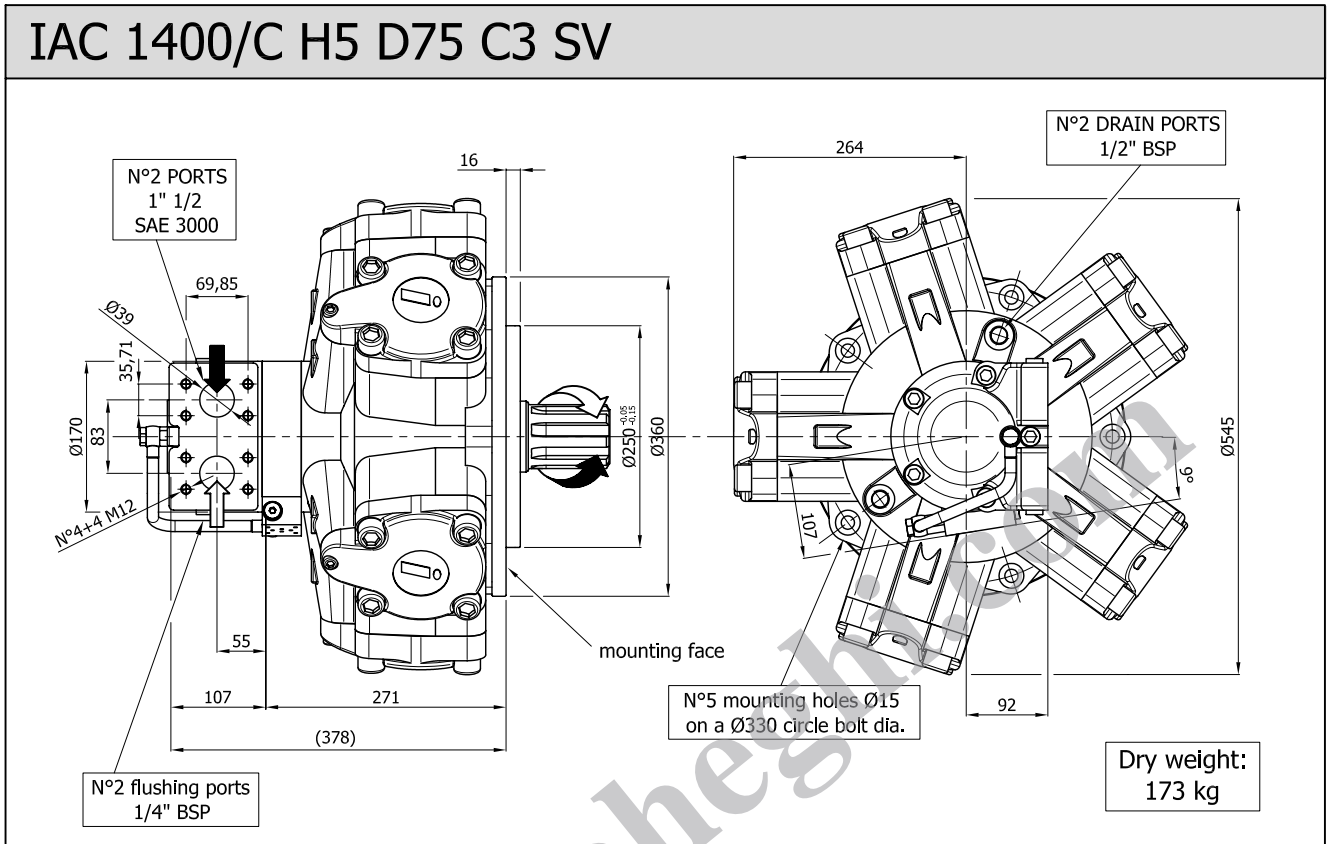
IAC 1400/C H5 D75



INTERCHANGEABLE WITH MRD1100

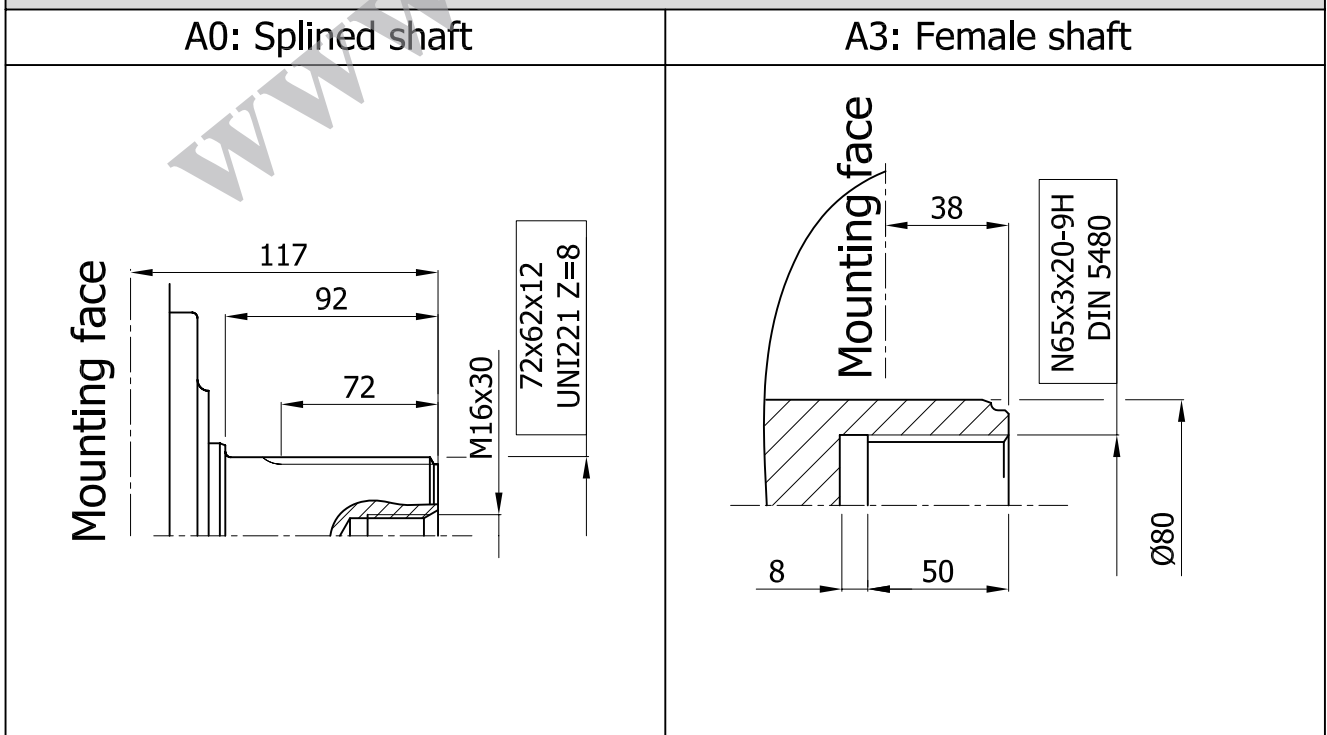
SIZE

IAC 1400/C H5 D75 C3 SV



SHAFT

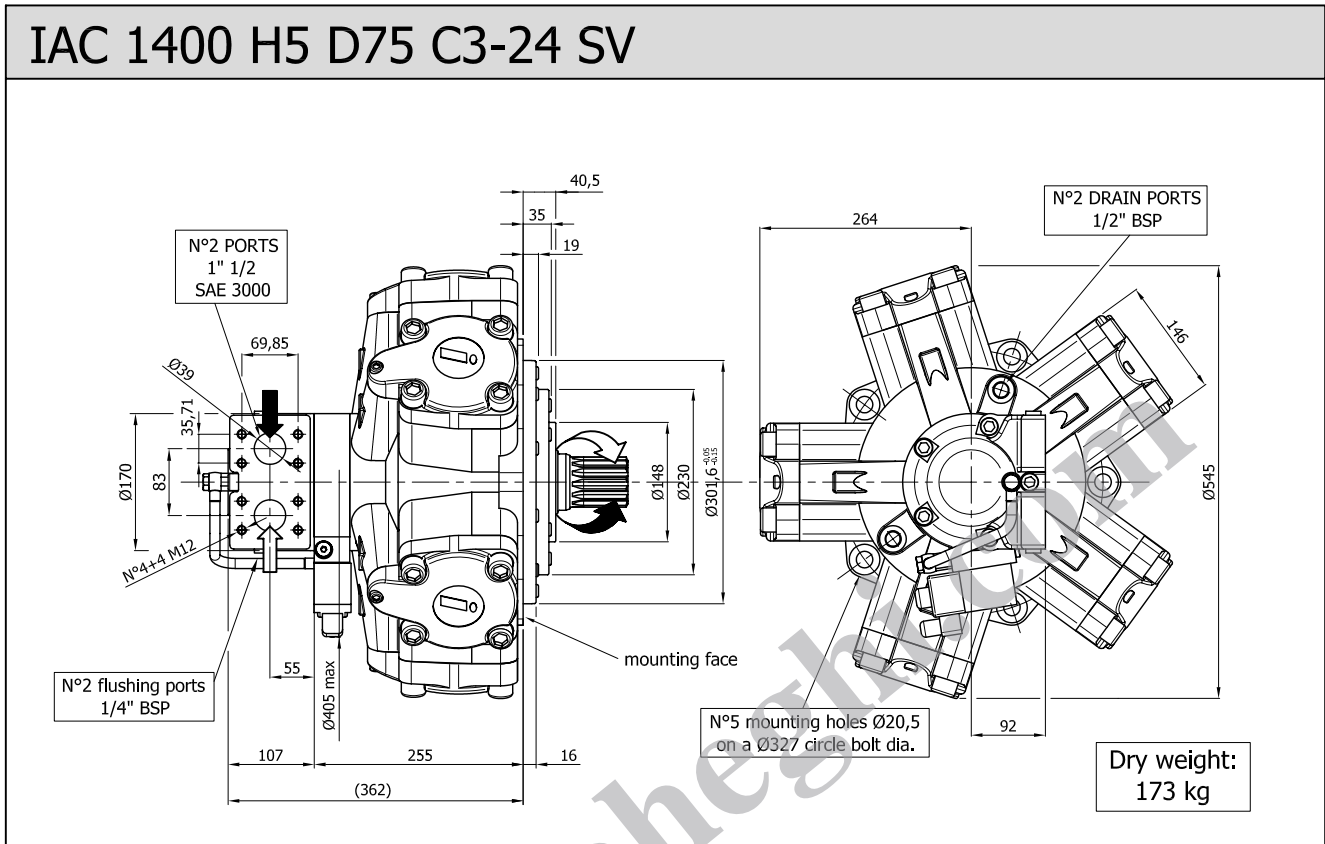
IAC 1400/C H5 D75 C3 SV



INTERCHANGEABLE WITH HMC80

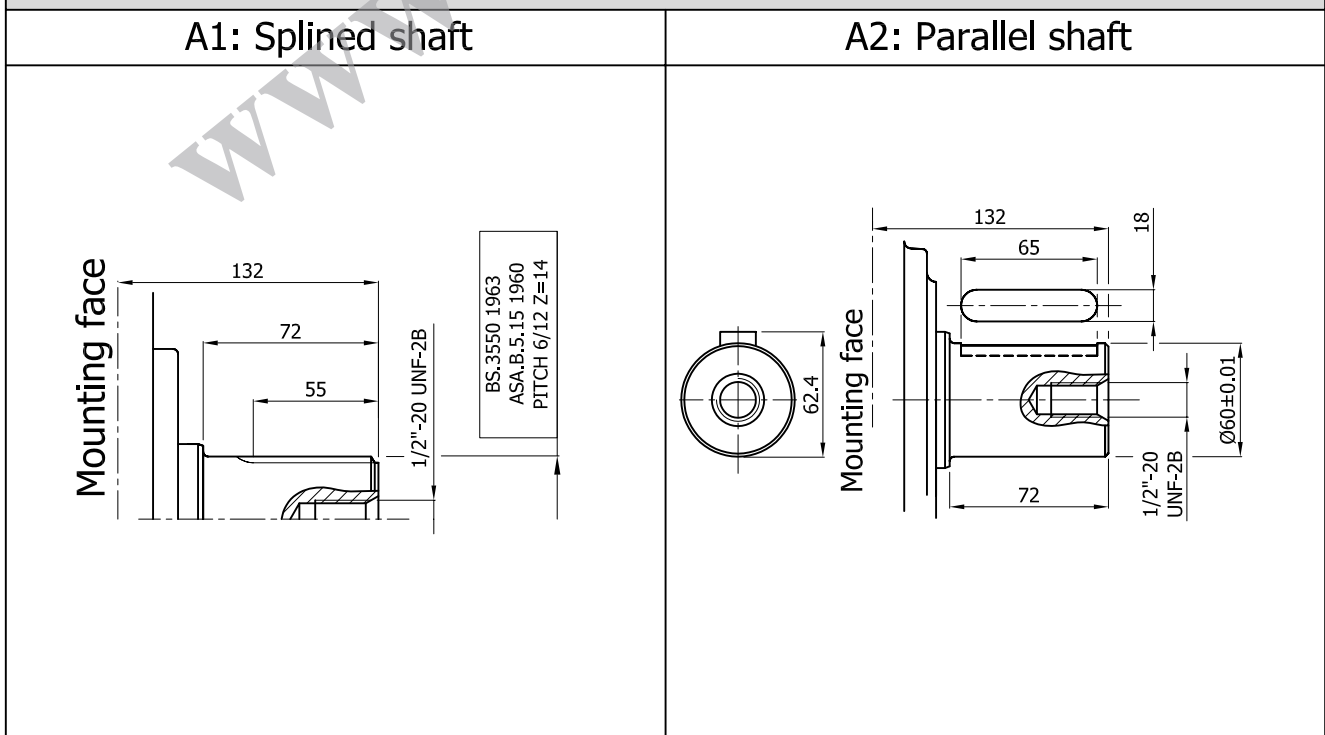
SIZE

IAC 1400 H5 D75 C3-24 SV



SHAFT

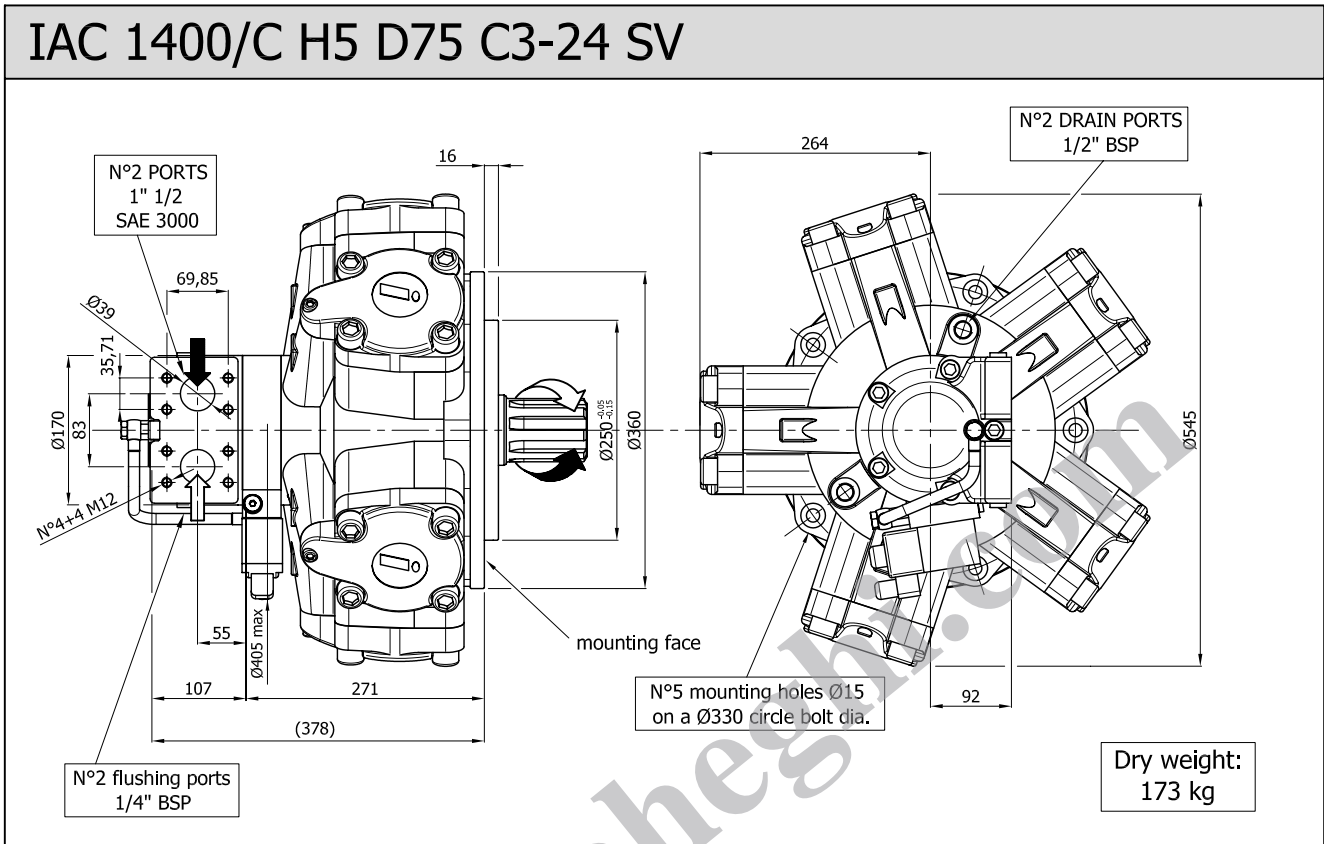
IAC 1400 H5 D75 C3-24 SV



INTERCHANGEABLE WITH MRD1100

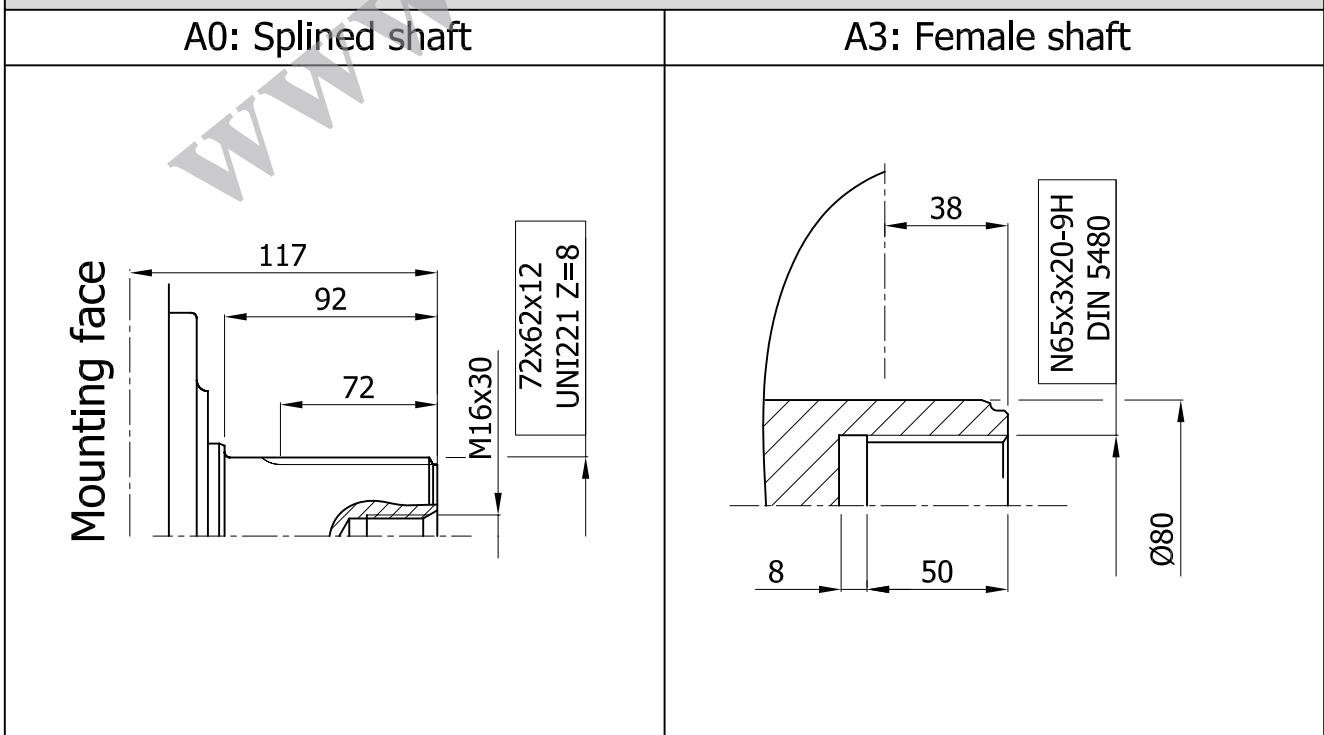
SIZE

IAC 1400/C H5 D75 C3-24 SV



SHAFT

IAC 1400/C H5 D75 C3-24 SV



ORDERING INSTRUCTIONS

H5

<p>Motor model IAC 1400</p> <p>Motor interchangeability /C</p> <p>Housing H5</p> <p>Shaft A0 splined shaft A3 female shaft A1 splined shaft A2 parallel shaft</p> <p>Distributor D75 (SAE 3000 1" 1/2)</p> <p>Tachometer (optional) TA TB EST EST.30 J TACHOMETER PREDISPOSITION</p> <p>Cetop 3 fitting (optional) C3 (Cetop 3 fitting) C3-12 (Cetop 3 fitting, with 12V DC valve included) C3-24 (Cetop 3 fitting, with 24V DC valve included)</p> <p>Shuttle valve (optional) SV</p> <p>Spline billet (optional) SB6 (for A0 splined shaft) SB7 (for A1 splined shaft)</p> <p>Valves (optional) RVDA OVSA (see valve section for details and complete ordination code) OVDA ORVSA RVDAP</p> <p>Special features (optional) 01 (Viton seals) 02 (Oxynit treatment on the external motor surface) 03 (Nitemper treatment on cylinder bores)</p> <p>Conversion flange (optional) (see conversion flanges section) FL4 (for IAC 1400/C D75) FL5 (for IAC 1400 H5 D75) FL6 (for IAC 1400 H5 D75)</p> <p>Displacements MAX-MIN (MAXIMUM AND MINIMUM DISPLACEMENT OF MOTOR)</p>	<p>IAC --</p> <p>/-</p> <p>H1</p> <p>A -</p> <p>D --</p> <p>---</p> <p>---</p> <p>SV</p> <p>SB -</p> <p>---</p> <p>---</p> <p>---</p> <p>---</p>	<p>Max displacement range: 1600-746 cc/Rev</p> <p>IAC 1400 H5</p> <p>Min displacement range: 1146-82 cc/Rev</p> <p>Different displacements on request</p>
---	--	---

EXAMPLE: IAC.1400/C.H5.A3.D75.C3.SV.1393-655
IAC.1400.H5.A1.D75.C3.SV.1393-410